

**IDEAL 5009-1  
IDEAL 5009-2  
Modular conveyor belt system**

**Operating Instructions**


For More Info

Click Here --->



IDEAL 5009-1 • IDEAL 5009-2

---

For More Info  **mano**  
Click Here ---> **Machines**

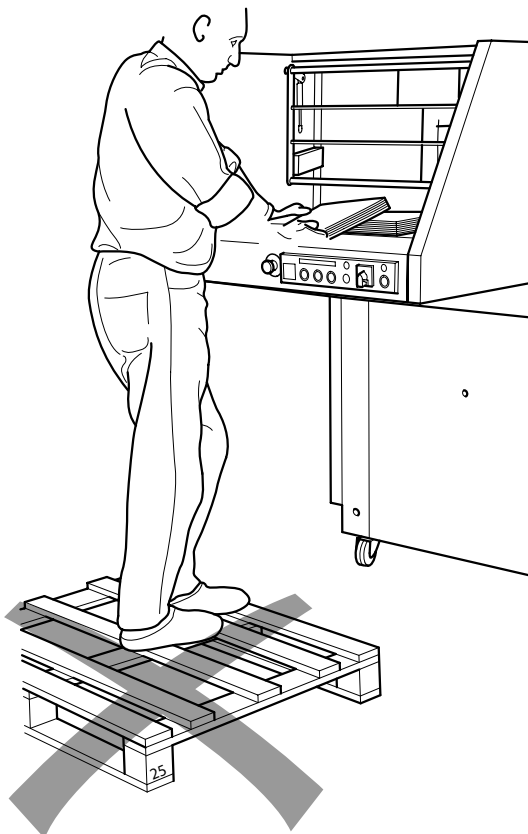
## Table of contents

1. General .....	4
1.1 Safety Instructions .....	4
1.2 Application .....	4
2. Installation .....	5
2.1 Transport .....	5
2.2 Preparing for installation .....	6
Waste cart .....	6
Conveyor belt (Accessory) .....	6
2.3 Power supply .....	8
2.4 Checking rotating direction .....	8
When the machine works in the opposite direction .....	8
3. Operation .....	9
3.1 Operating elements .....	9
3.2 Starting the machine .....	9
Stopping the machine .....	10
Yellow pilot light flashes .....	10
3.3 Stopping the machine .....	10
For short breaks .....	10
For longer breaks .....	10
3.4 Replacing the plastic bag .....	11
3.5 Oiling the shredding mechanism .....	11
4. Trouble shooting .....	12
5. Accessories .....	14
6. Technical data .....	14
7. EC-declaration of conformity .....	15

For More Info

Click Here --->







## 1. General

This instruction manual is meant to help you to operate the machine easily and safely. Please read these operating instructions before putting the machine into operation and observe the safety regulations.

### 1.1 Safety Instructions


 **Danger!**  
Non-compliance with the instructions may endanger persons.


 **Warning!**  
Non-compliance with the instructions may cause damage to the machine.


**The operating instructions must always be available for the operator.**


### 1.2 Application

The machine is constructed to shred paper, flat or crumpled, as well as cardboard boxes including staples. Data security is not guaranteed when shredding single sheets of paper. Access to the cutting mechanism is prevented by a grid.

 **Danger!**  
The machine may only be operated by qualified persons.  
**Do not let children operate the machine.**

 **Danger!**  
When the main switch is switched on do not use steps or anything similar when operating or repairing the machine.

 **Danger!**  
Do not shred materials which may loop, liquids or materials which may explode, chemically react or splinter.

 **Warning!**  
Do not feed large steel components, screws, nails or hard materials. This will damage the shredding mechanism.

## 2. Installation

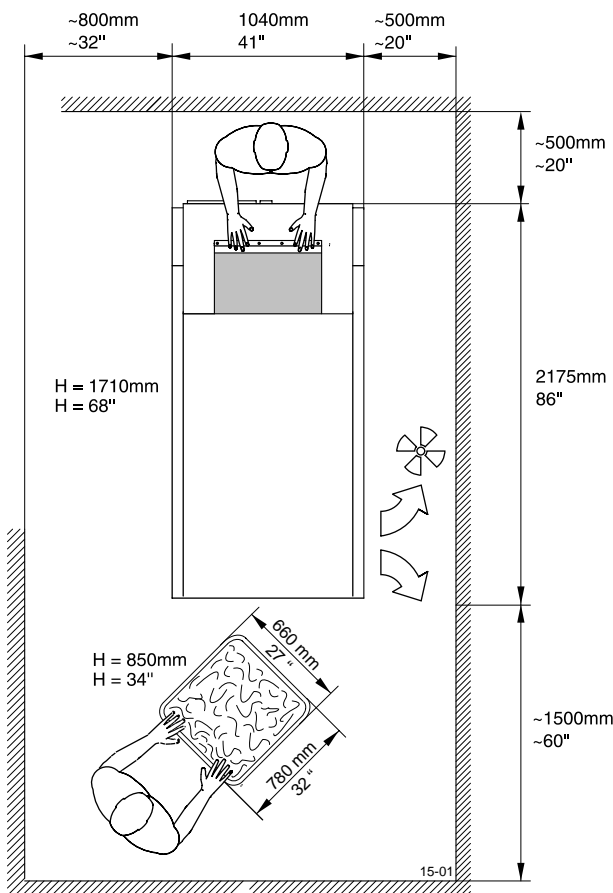
The machine is mobile on castors. The machine must be installed on a sturdy, dry and level floor.

### Danger!

- The machine must not be used outside.
- Do not use in the vicinity of flammable liquids or gases.
- Do not use in wet environments.
- Protect the power cable from extreme heat, oil, and sharp edges.

### Warning!

- Do not cover the ventilation slits → see picture left.
- Consider the floor loading.  
Weight approx. 1200 kg.



For More Info

Click Here --->



### 2.1 Transport

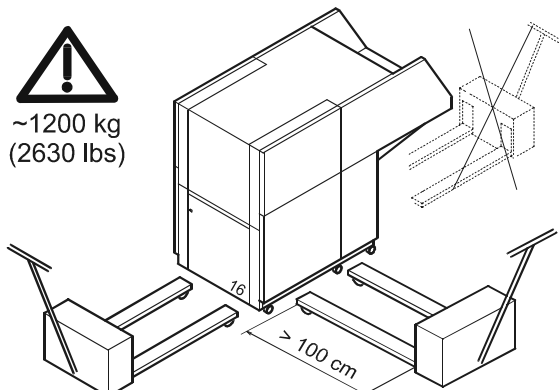
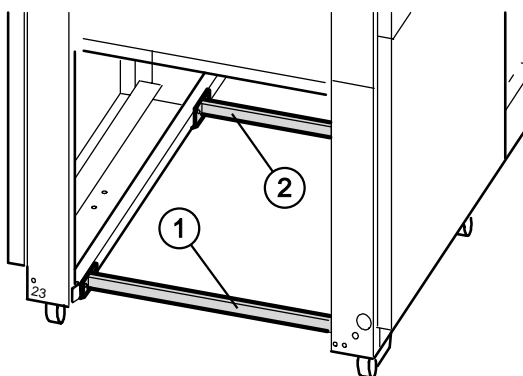
#### Warning!

Do not lift the machine more than necessary → risk of tipping.

#### Warning!

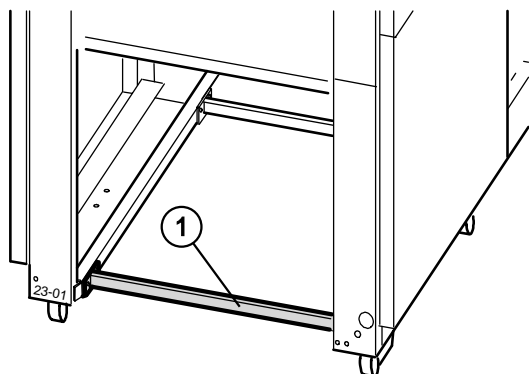
The transport safety device (1) and (2) must be mounted when the machine is transported lengthwise. The machine must be transported from the rear. It is not necessary to mount the safety device when the machine is transported from the side.

- Make sure the pallet-jack is centred under the machine.

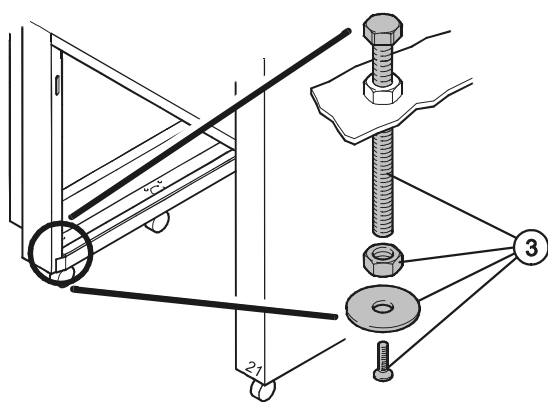


IDEAL 5009-1 • IDEAL 5009-2

## 2.2 Preparing for installation



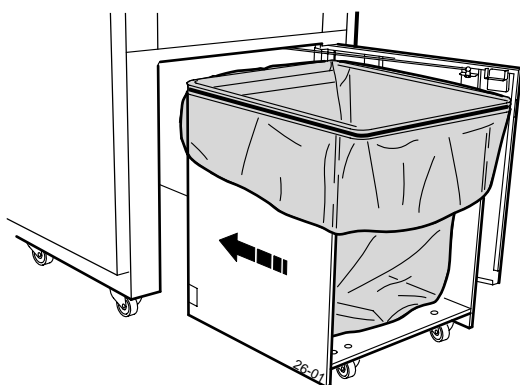
- Open the door.
- Remove the transport safety device (1) and keep for later use.



- Mount the supporting screws (3).
- Screw down the supporting screws until the rear castors are balanced.

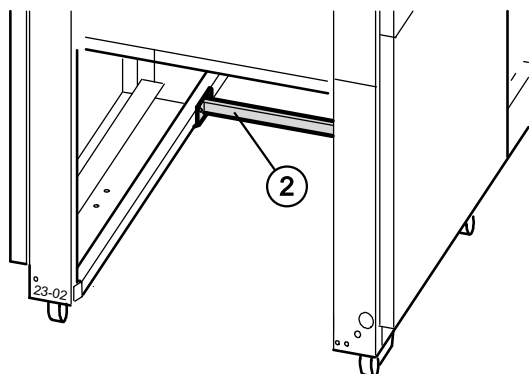
For More Info

Click Here --->



### Waste cart

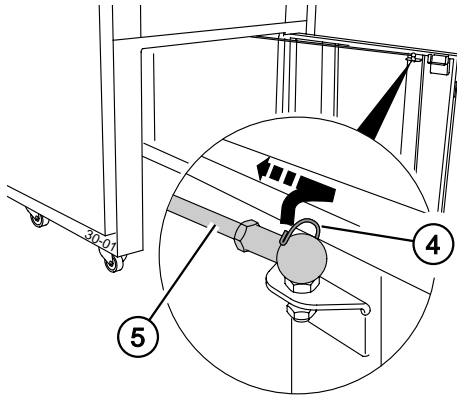
- Put the plastic bag into the waste cart as described under "replace bag".
- Push the cart into the machine, with the open side facing you, until it touches the buffer.
- Close the door.



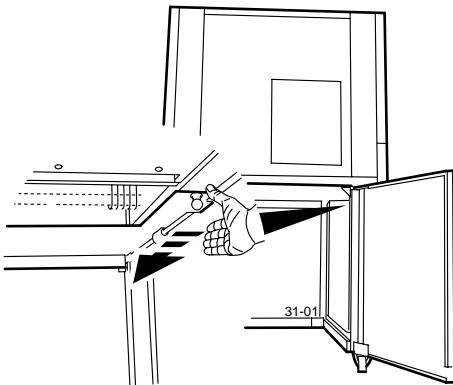
### Conveyor belt (accessory)

When using a conveyor belt the following modifications must be made on the machine:

- Remove the transport safety device (2) for the waste cart.



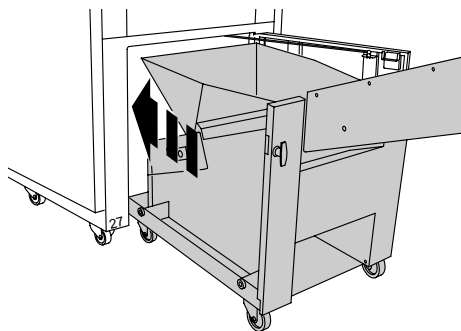
- Remove the springs from the ball-ends (4) on both sides.
- Dismount the tie-bar (5).



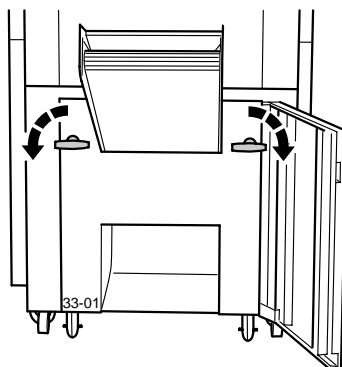
- Push the slide to the back

For More Info


Click Here --->



- Push back the conveyor belt into the machine.



- Turn both handles to lock.

For More Info   
Click Here --->

For More Info

Click Here --->



For More Info

Click Here --->



For More Info

Click Here --->



For More Info



Click Here --->

For More Info [Click Here --->](#)



For More Info

Click Here --->



For More Info



Click Here --->

For More Info [mno](#)  
Click Here ---> [Machines](#)